

SCHEMATICS

2008JAN25

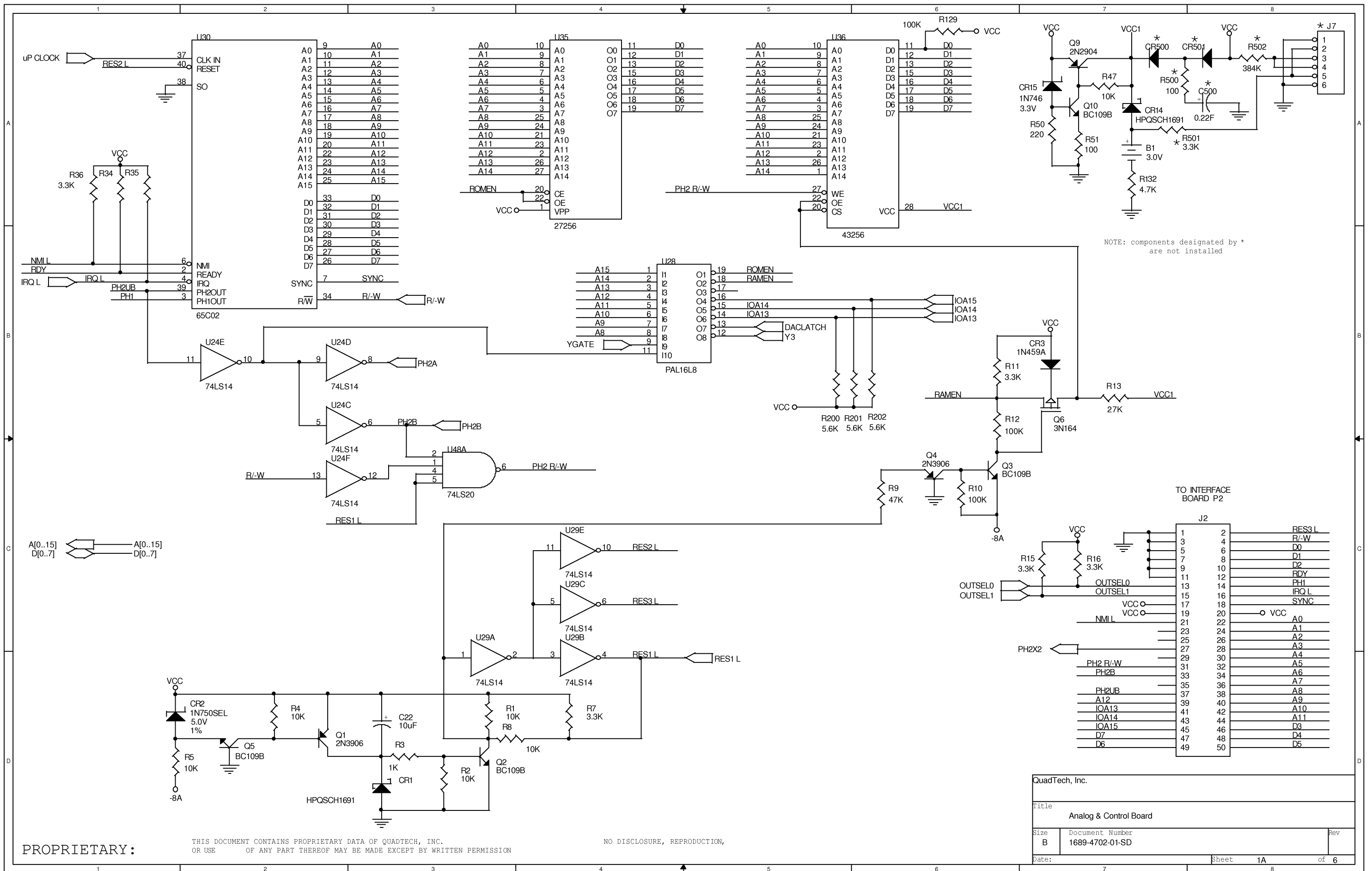
SECOND GENERATION GENRAD QUADTECH DIGIBRIDGE

1659

1689

1692

1689M

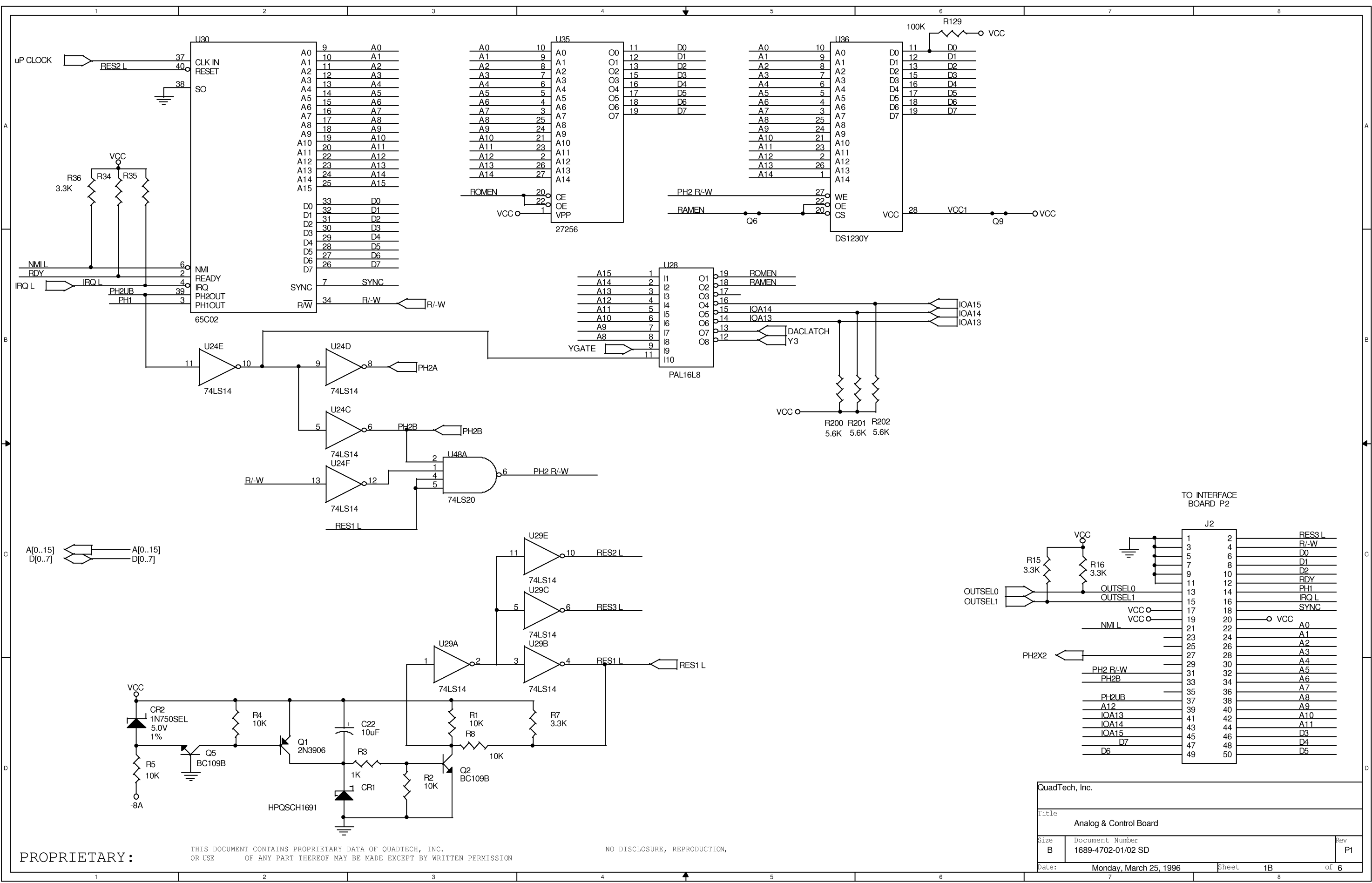


PROPRIETARY:

THIS DOCUMENT CONTAINS PROPRIETARY DATA OF QUADTECH, INC.
OR USE OF ANY PART THEREOF MAY BE MADE EXCEPT BY WRITTEN PERMISSION

NO DISCLOSURE, REPRODUCTION,

QuadTech, Inc.		
Title Analog & Control Board		
Size B	Document Number 1689-4702-01-SD	Rev
Date:	Sheet 1A	of 6

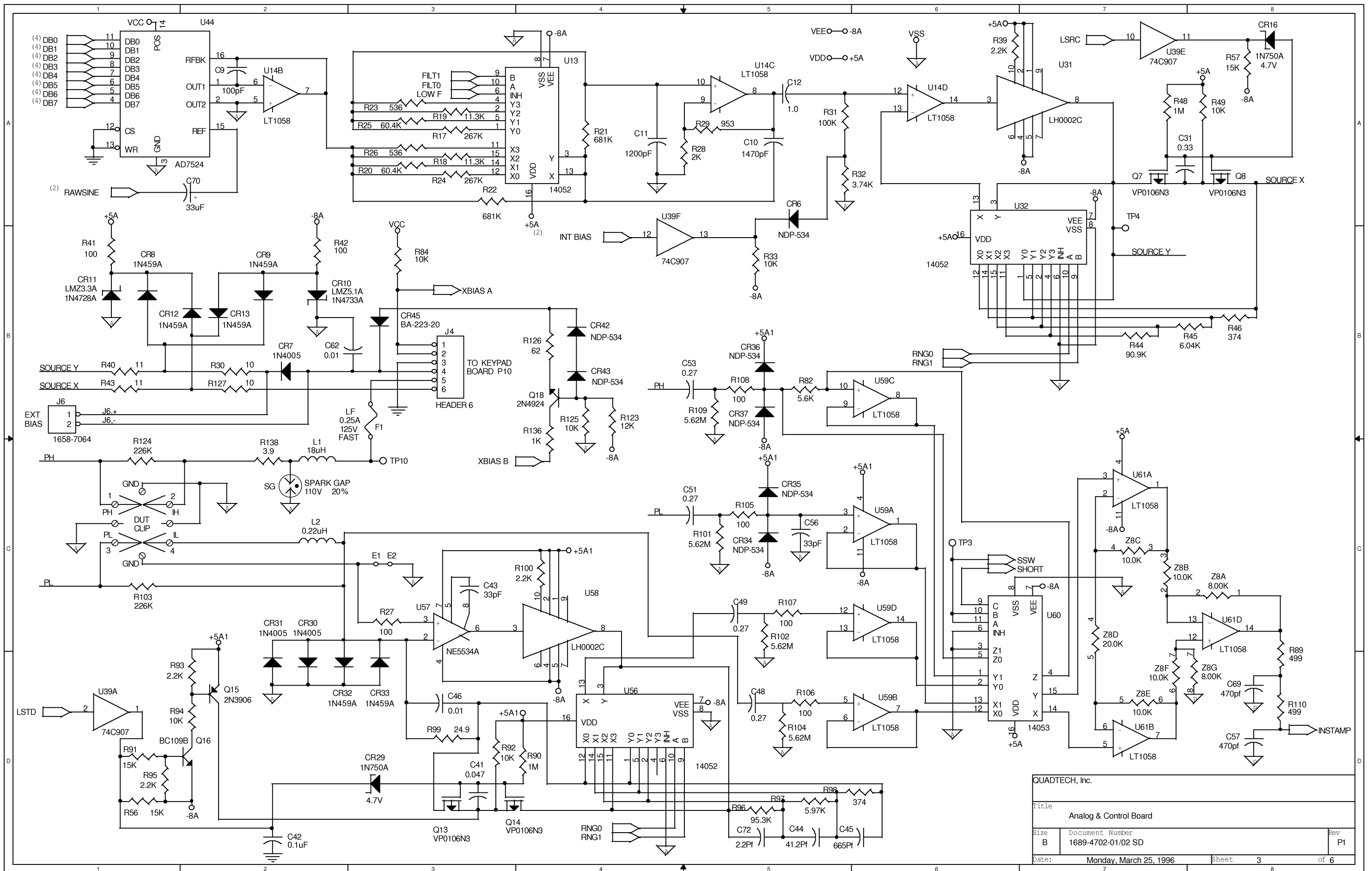


PROPRIETARY:

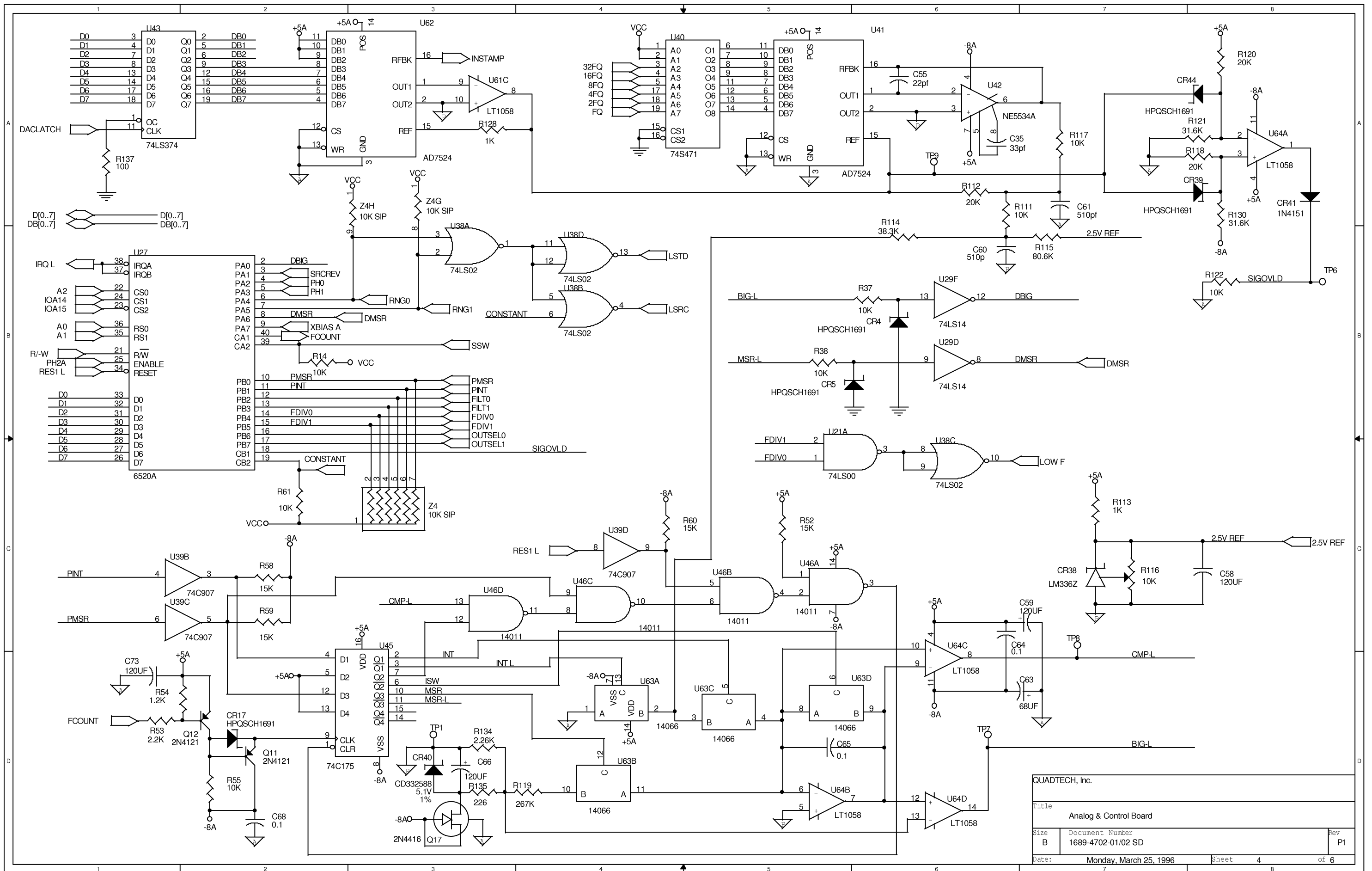
THIS DOCUMENT CONTAINS PROPRIETARY DATA OF QUADTECH, INC.
OR USE OF ANY PART THEREOF MAY BE MADE EXCEPT BY WRITTEN PERMISSION

NO DISCLOSURE, REPRODUCTION,

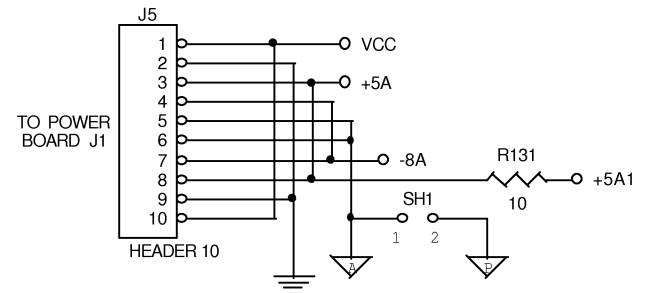
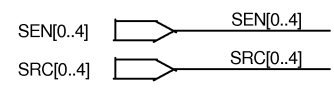
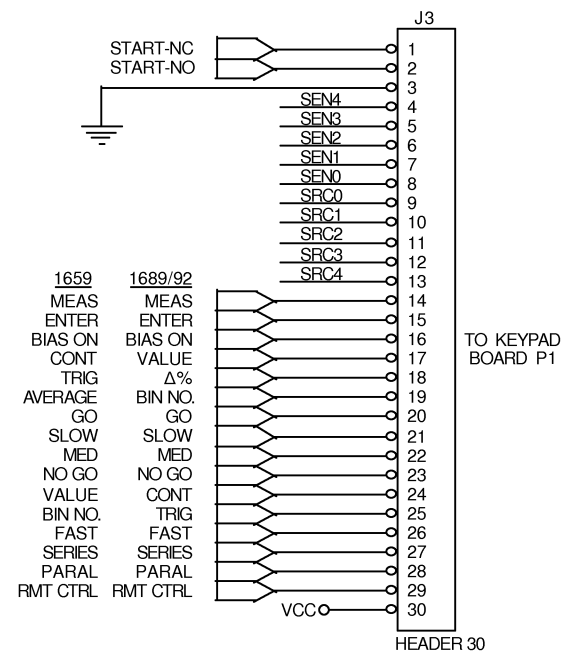
QuadTech, Inc.		
Title Analog & Control Board		
Size B	Document Number 1689-4702-01/02 SD	Rev P1
Date: Monday, March 25, 1996	Sheet 1B	of 6



QUADTECH, Inc.		
Title Analog & Control Board		
Size B	Document Number 1689-4702-01/02 SD	Rev P1
Date: Monday, March 25, 1996	Sheet 3	of 6

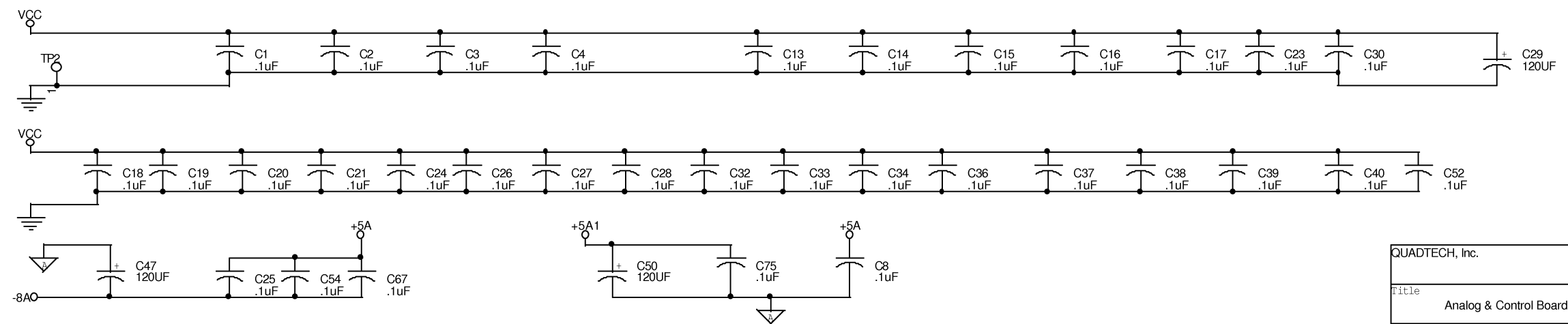
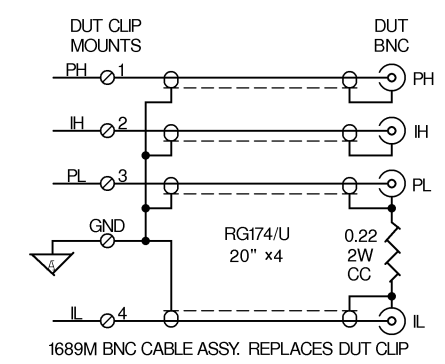
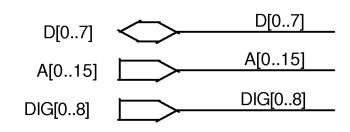
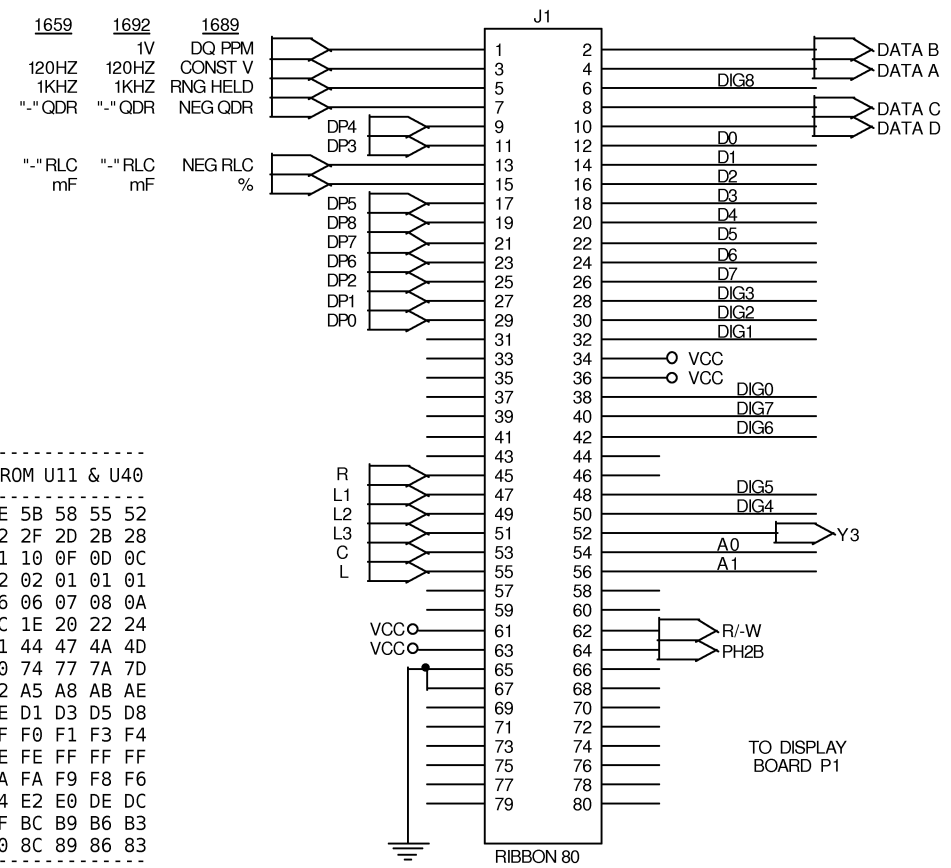


QUADTECH, Inc.		
Title Analog & Control Board		
Size B	Document Number 1689-4702-01/02 SD	Rev P1
Date: Monday, March 25, 1996	Sheet 4	of 6



CONTENTS OF 74S471 SINEWAVE GENERATION PROM U11 & U40

0000	80	7D	7A	77	74	70	6D	6A	67	64	61	5E	5B	58	55	52
0010	4F	4D	4A	47	44	41	3F	3C	39	37	34	32	2F	2D	2B	28
0020	26	24	22	20	1E	1C	1A	18	16	15	13	11	10	0F	0D	0C
0030	0B	0A	08	07	06	05	04	03	03	02	02	02	01	01	01	01
0040	01	01	01	01	02	02	02	03	03	04	05	06	06	07	08	0A
0050	0B	0C	0D	0F	10	11	13	15	16	18	1A	1C	1E	20	22	24
0060	26	28	2B	2D	2F	32	34	37	39	3C	3F	41	44	47	4A	4D
0070	4F	52	55	58	5B	5E	61	64	67	6A	6D	70	74	77	7A	7D
0080	80	83	86	89	8C	90	93	96	99	9C	9F	A2	A5	A8	AB	AE
0090	B1	B3	B6	B9	BC	BF	C1	C4	C7	C9	CC	CE	D1	D3	D5	D8
00A0	DA	DC	DE	E0	E2	E4	E6	E8	EA	EB	ED	EF	F0	F1	F3	F4
00B0	F5	F6	F8	F9	FA	FA	FB	FC	FD	FD	FE	FE	FE	FF	FF	FF
00C0	FF	FF	FF	FE	FE	FE	FD	FC	FB	FA	FA	F9	F8	F6	F6	F6
00D0	F5	F4	F3	F1	F0	EF	ED	EB	EA	E8	E6	E4	E2	E0	DE	DC
00E0	DA	D8	D5	D3	D1	CE	CC	C9	C7	C4	C1	BF	BC	B9	B6	B3
00F0	B1	AE	AB	A8	A5	A2	9F	9C	99	96	93	90	8C	89	86	83

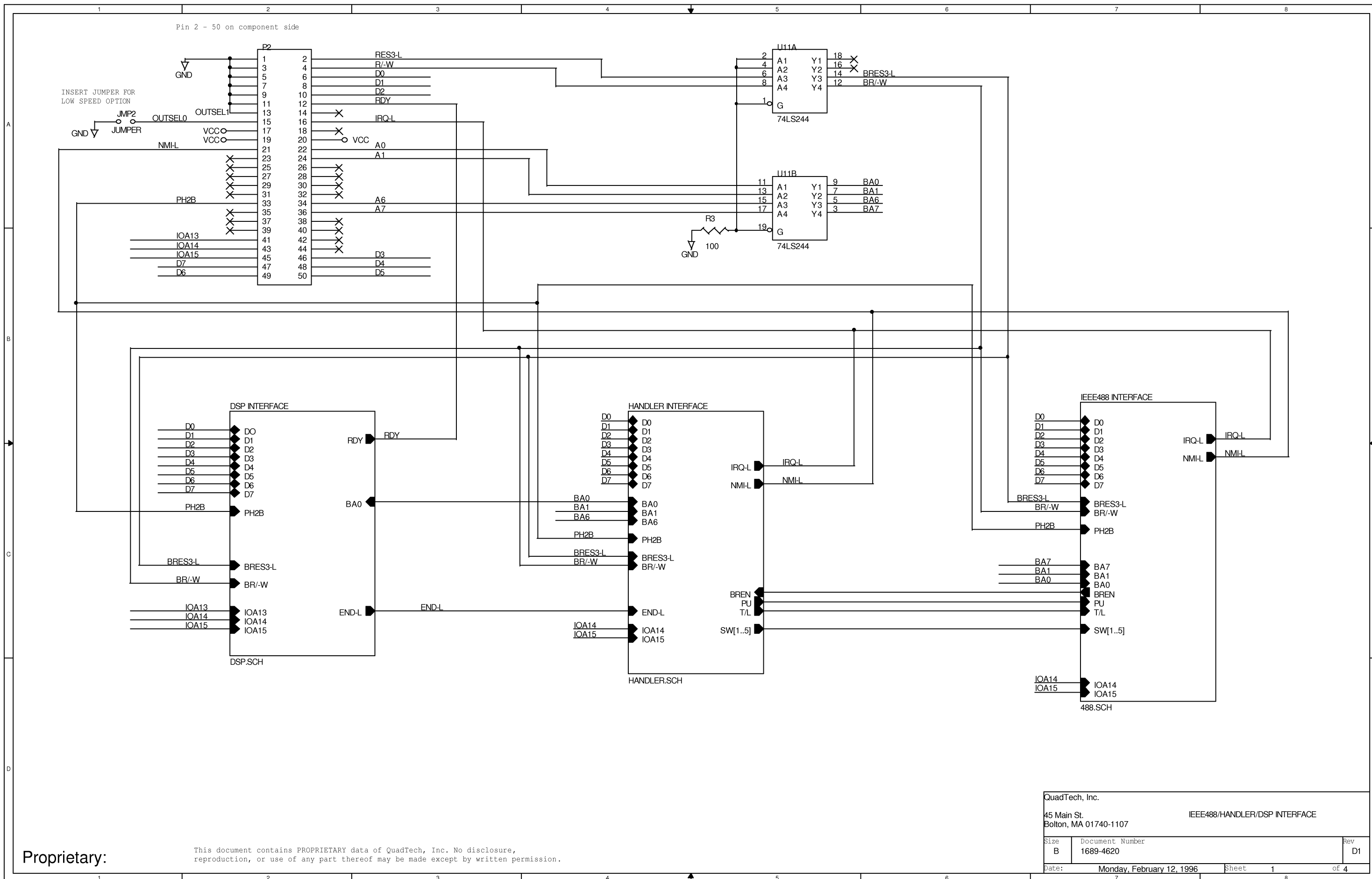


PROPRIETARY:

THIS DOCUMENT CONTAINS PROPRIETARY DATA OF QUADTECH, INC. OR USE OF ANY PART THEREOF MAY BE MADE EXCEPT BY WRITTEN PERMISSION

NO DISCLOSURE, REPRODUCTION,

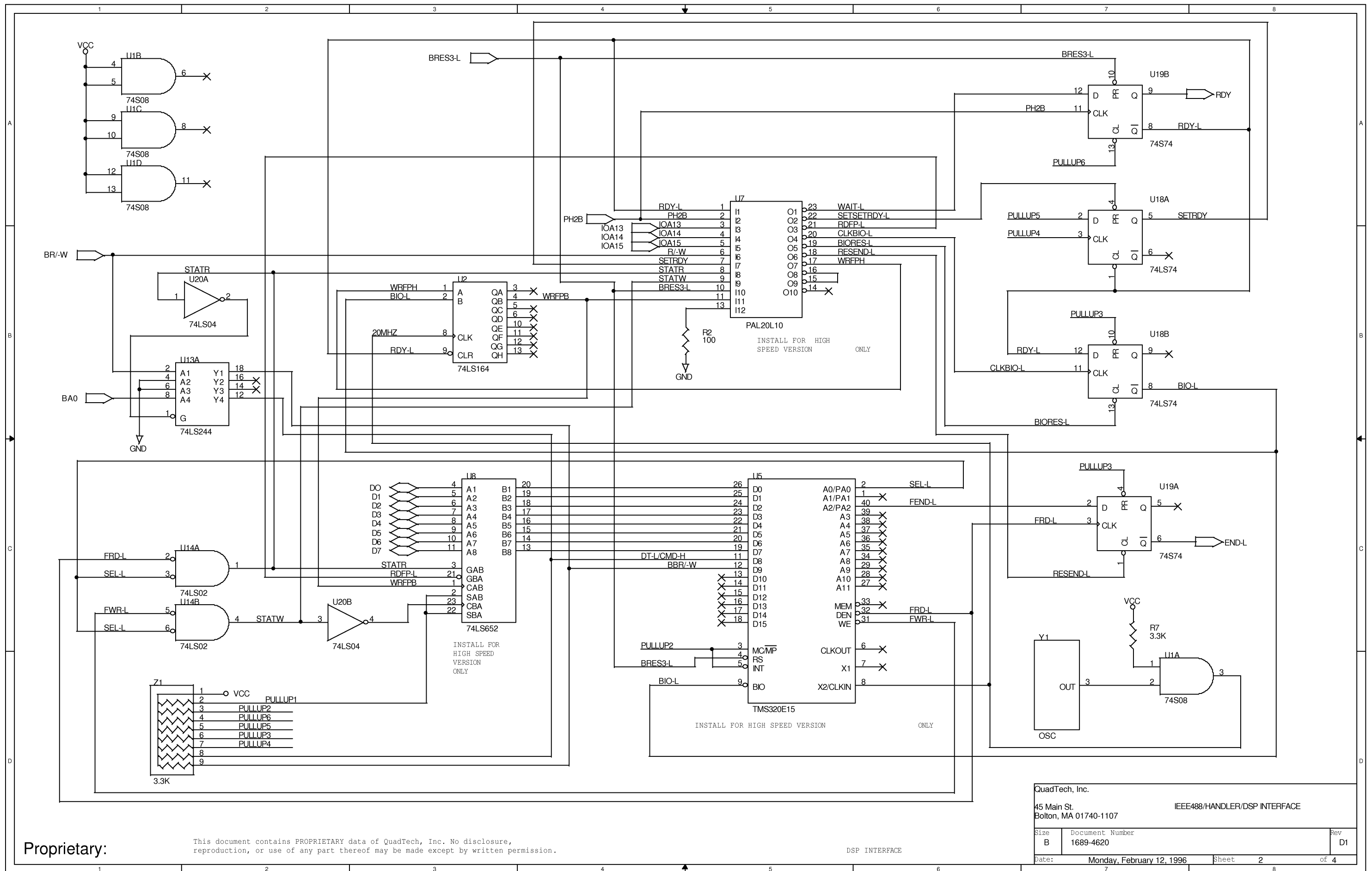
QUADTECH, Inc.		
Title Analog & Control Board		
Size B	Document Number 1689-4702-01/02 SD	Rev P1
Date: Monday, March 25, 1996	Sheet 6	of 6



Proprietary:

This document contains PROPRIETARY data of QuadTech, Inc. No disclosure, reproduction, or use of any part thereof may be made except by written permission.

QuadTech, Inc.		IEEE488/HANDLER/DSP INTERFACE	
45 Main St.		Bolton, MA 01740-1107	
Size	Document Number	Rev	
B	1689-4620	D1	
Date:	Monday, February 12, 1996	Sheet	1 of 4



Proprietary:

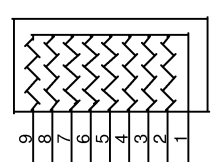
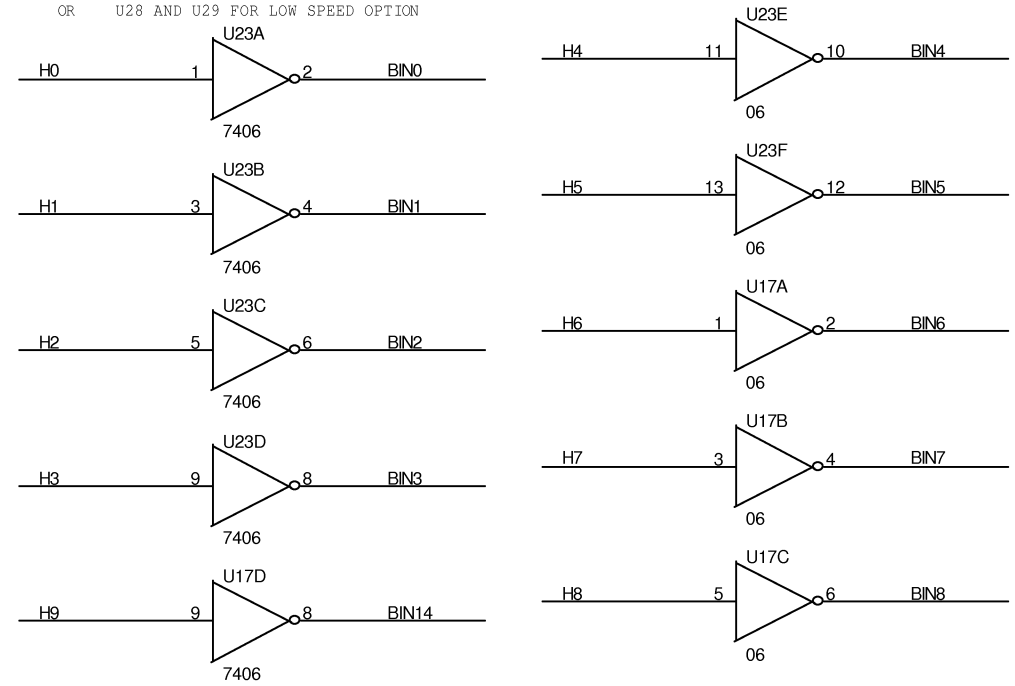
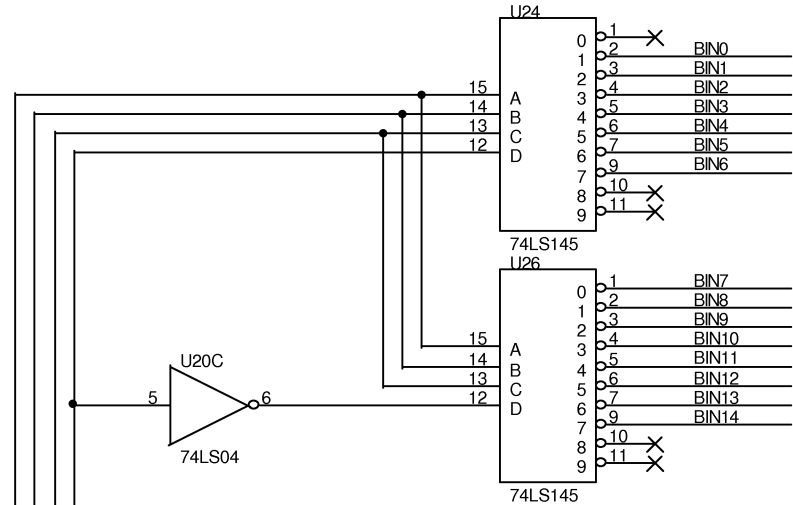
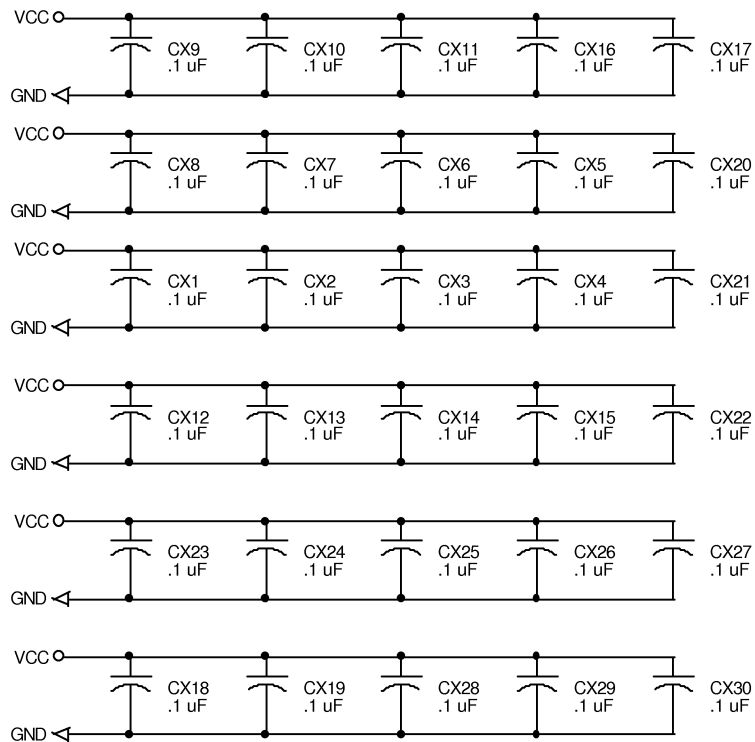
This document contains PROPRIETARY data of QuadTech, Inc. No disclosure, reproduction, or use of any part thereof may be made except by written permission.

DSP INTERFACE

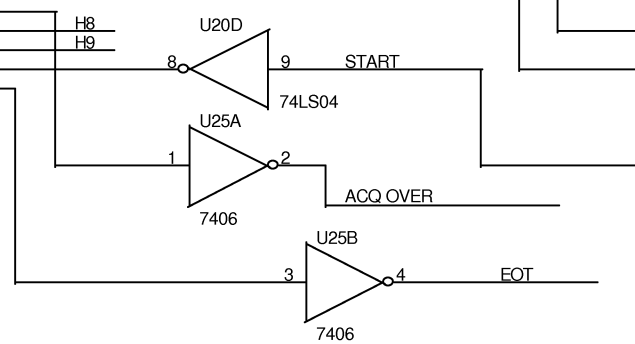
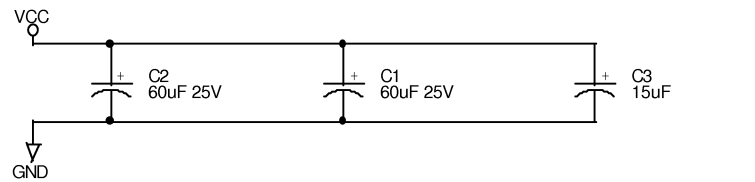
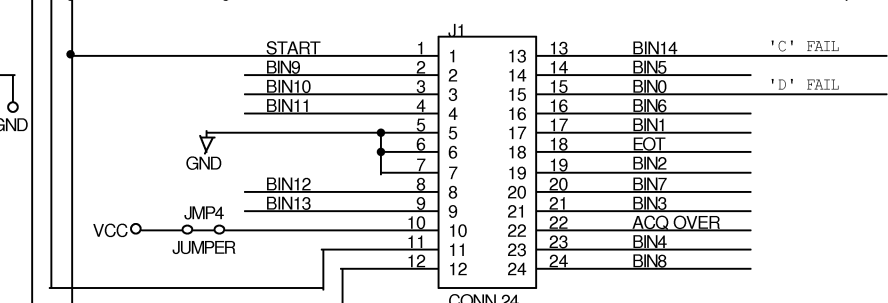
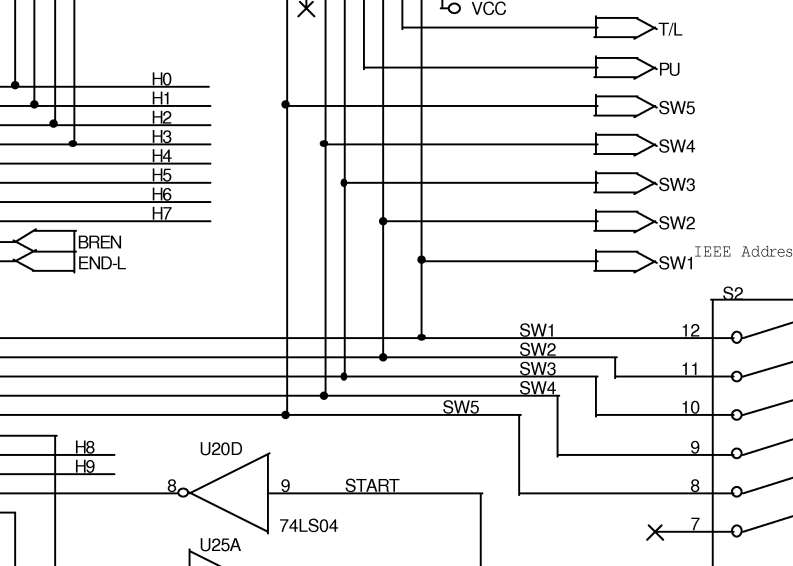
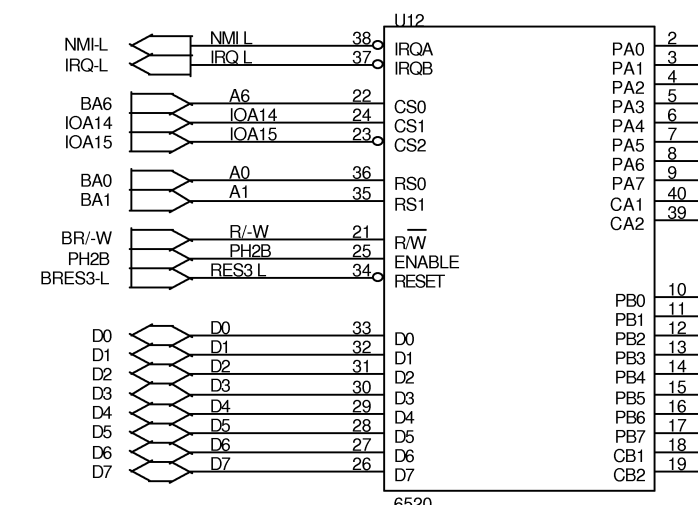
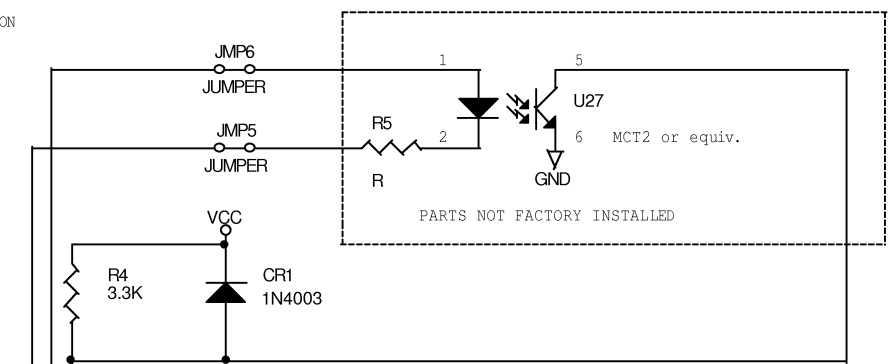
QuadTech, Inc.		IEEE488/HANDLER/DSP INTERFACE	
45 Main St.		Bolton, MA 01740-1107	
Size	Document Number	Rev	
B	1689-4620	D1	
Date:	Monday, February 12, 1996	Sheet	2 of 4

INSTALL U21 AND U22 FOR HIGH SPEED OPTION

OR U28 AND U29 FOR LOW SPEED OPTION



JUMPER JP3 and JP4 FOR OPTIONAL OPTO ISOLATION Not Factory installed



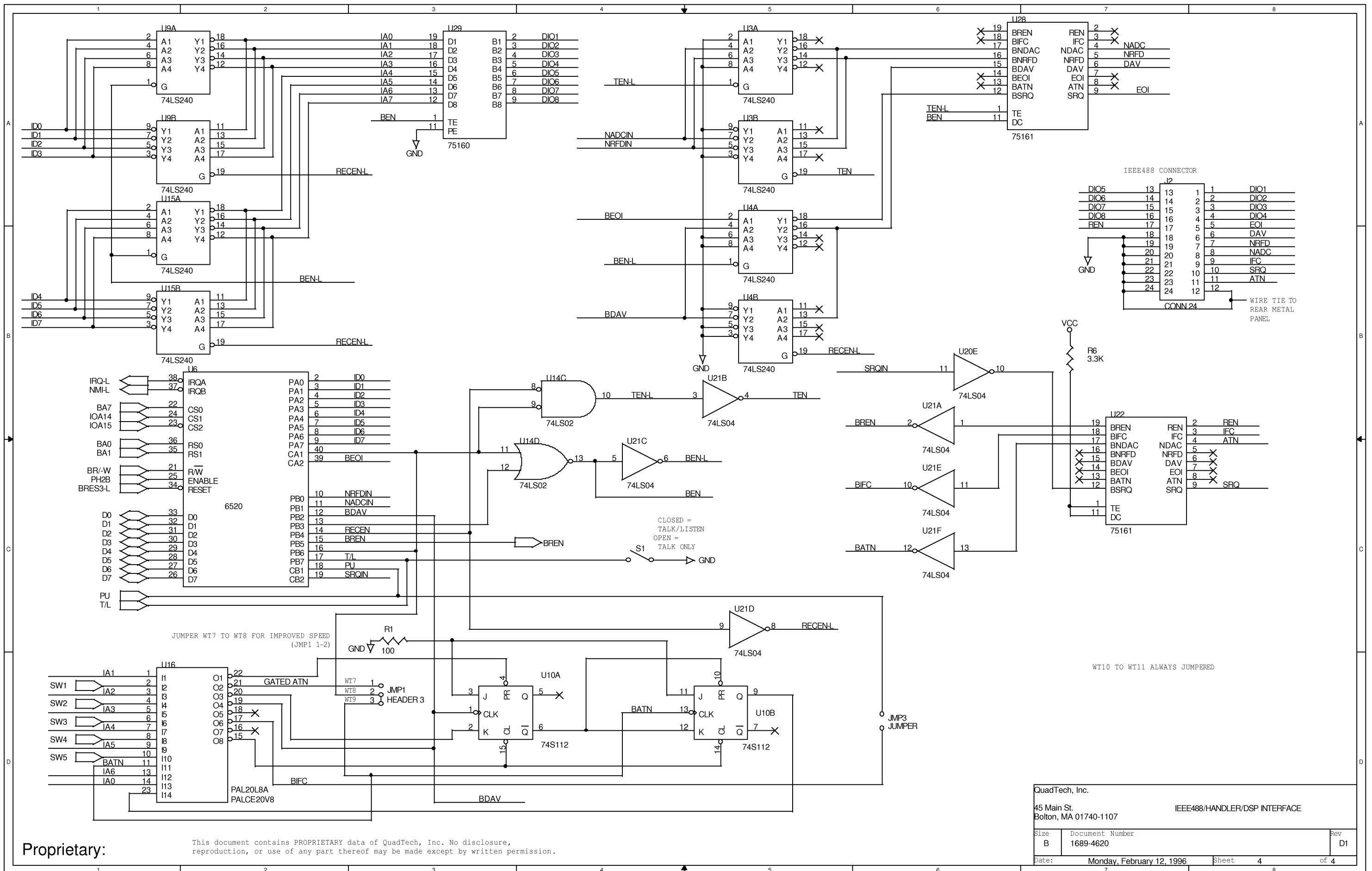
FACTORY SETTINGS
SW1, SW2 OPEN
SW3, SW4, SW5 CLOSED

HANDLER INTERFACE

Proprietary:

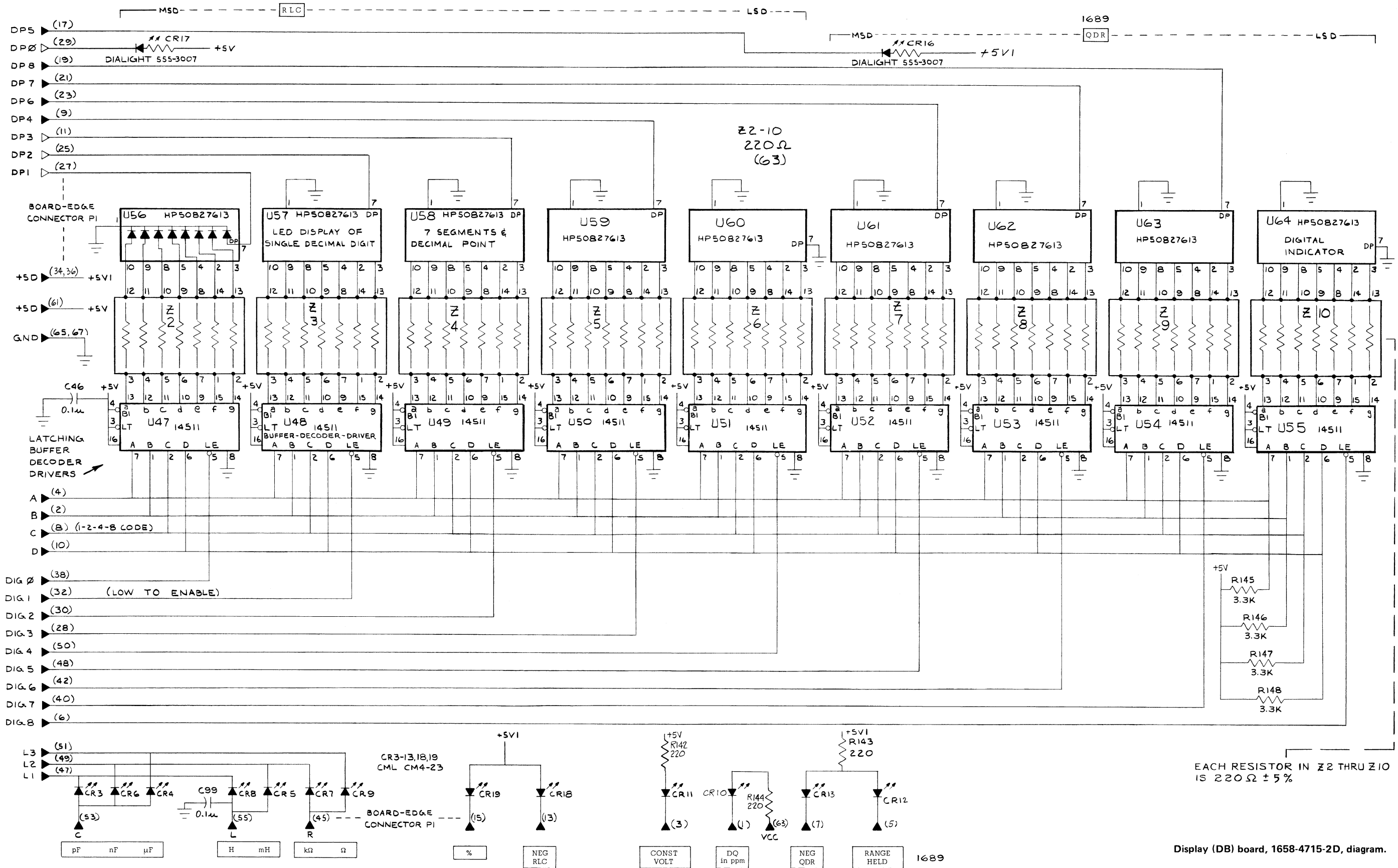
This document contains PROPRIETARY data of QuadTech, Inc. No disclosure, reproduction, or use of any part thereof may be made except by written permission.

QuadTech, Inc.		IEEE488/HANDLER/DSP INTERFACE	
45 Main St.		Bolton, MA 01740-1107	
Size	Document Number	Date:	Rev
B	1689-4620	Monday, February 12, 1996	D1
Sheet 3		of 4	

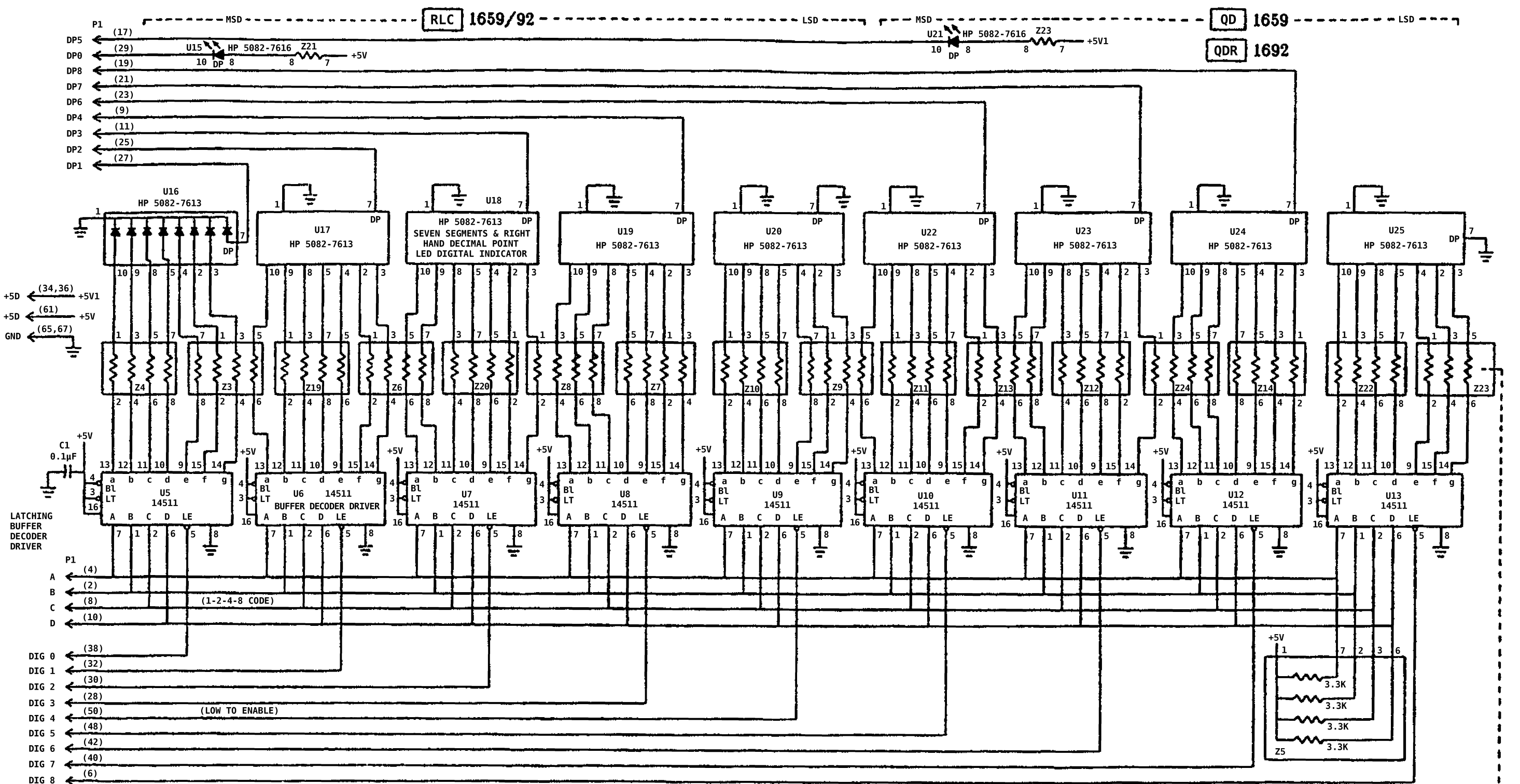


Proprietary:

This document contains PROPRIETARY data of QuadTech, Inc. No disclosure, reproduction, or use of any part thereof may be made except by written permission.

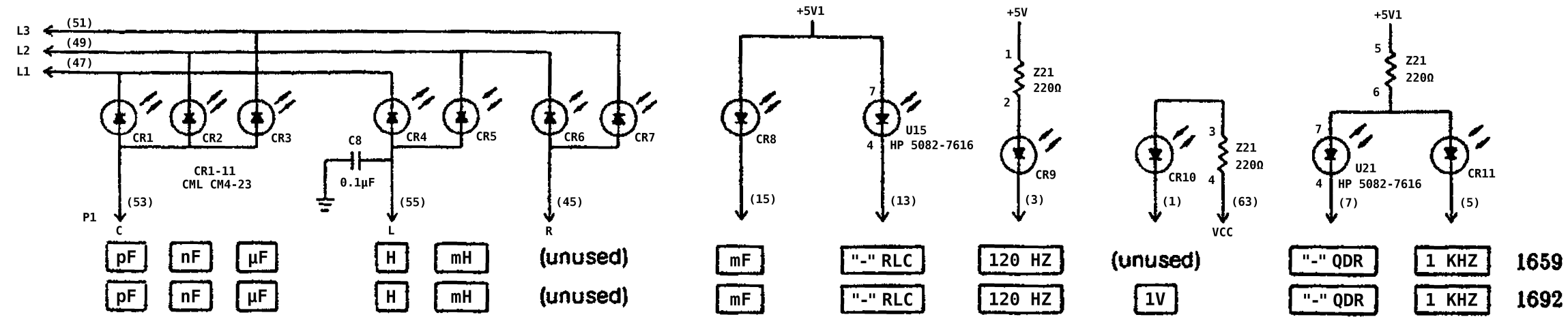


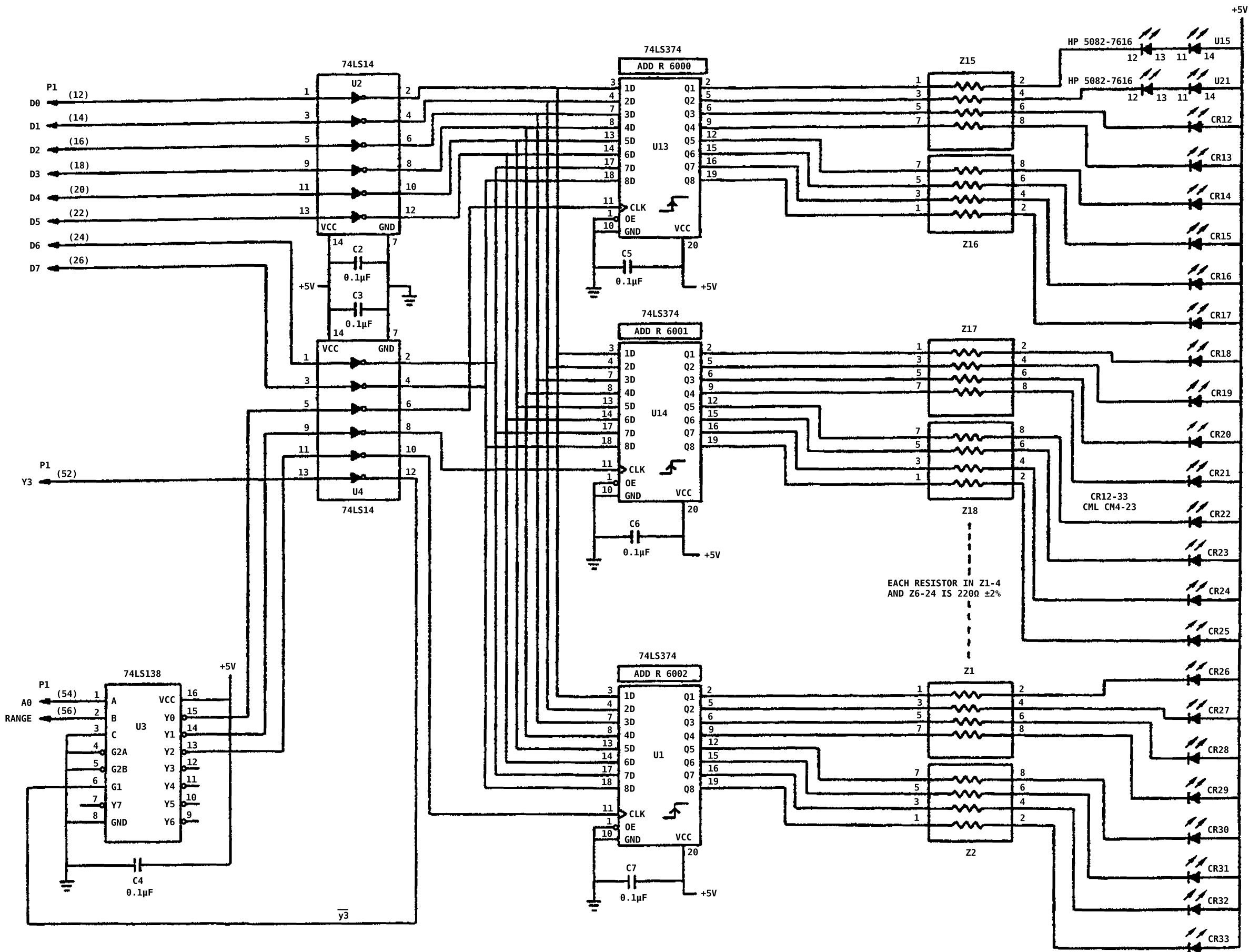
Display (DB) board, 1658-4715-2D, diagram.



QD 1659
QDR 1692

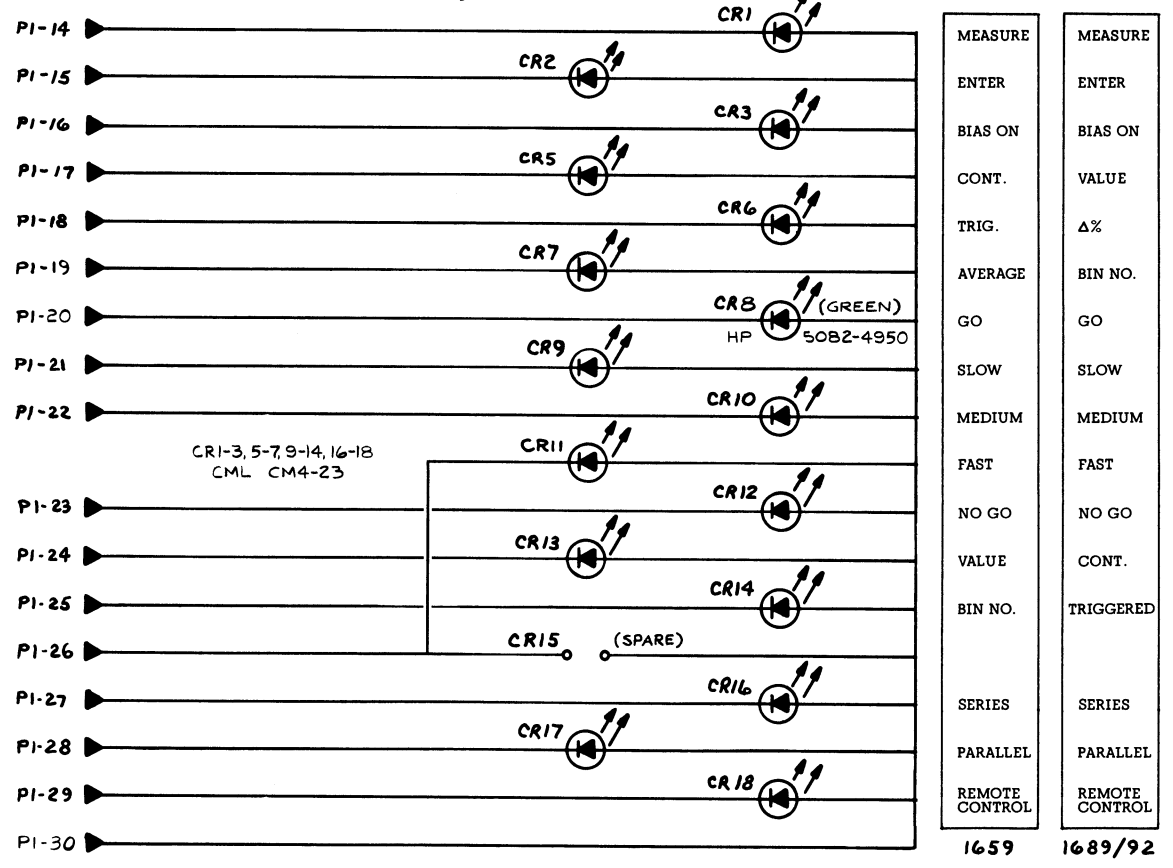
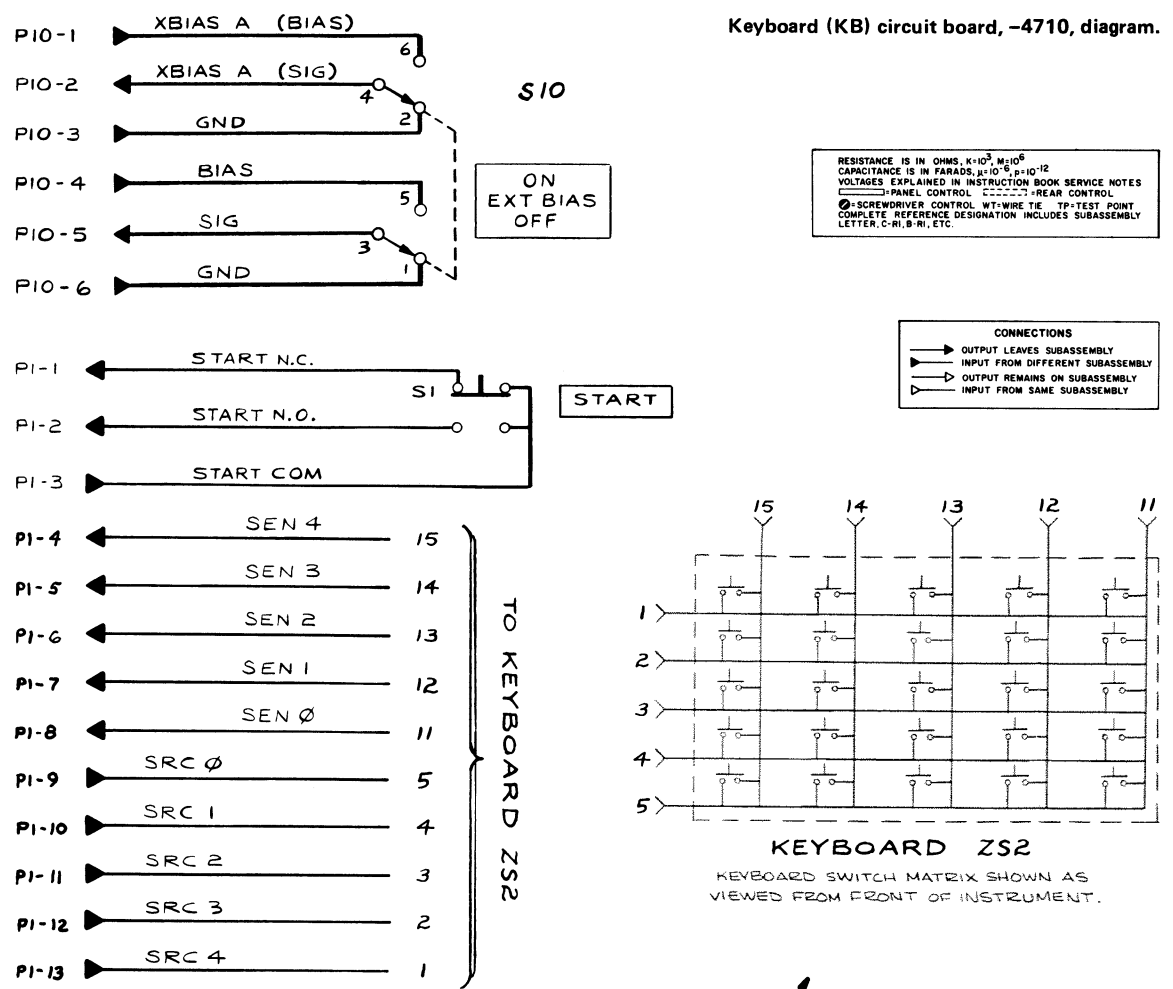
EACH RESISTOR IN Z1-4 AND Z6-24 IS 220Ω ±2%



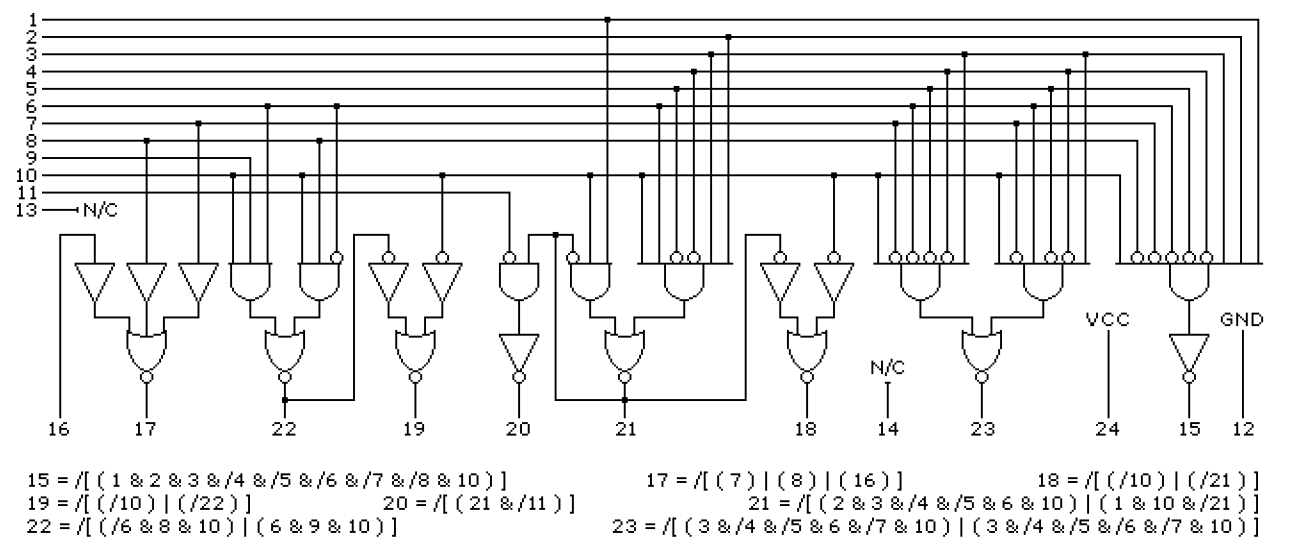


1659	1692
"1" (for RLC)	"1" (for RLC)
"1" (for DQR)	"1" (for DQR)
Ω	Ω
kΩ	kΩ
MΩ	MΩ
(not used)	CONST
(not used)	.3V
(not used)	100 KHZ
10 KHZ	10 KHZ
100 HZ	100 HZ
(not used)	Δ
BIN	BIN
(not used)	%
R	R
L	L
C	C
(not used)	(not used)
(not used)	(not used)
(not used)	(not used)
D	D
Q	Q
(not used)	R
RANGE HELD	RANGE HELD
(not used)	(not used)

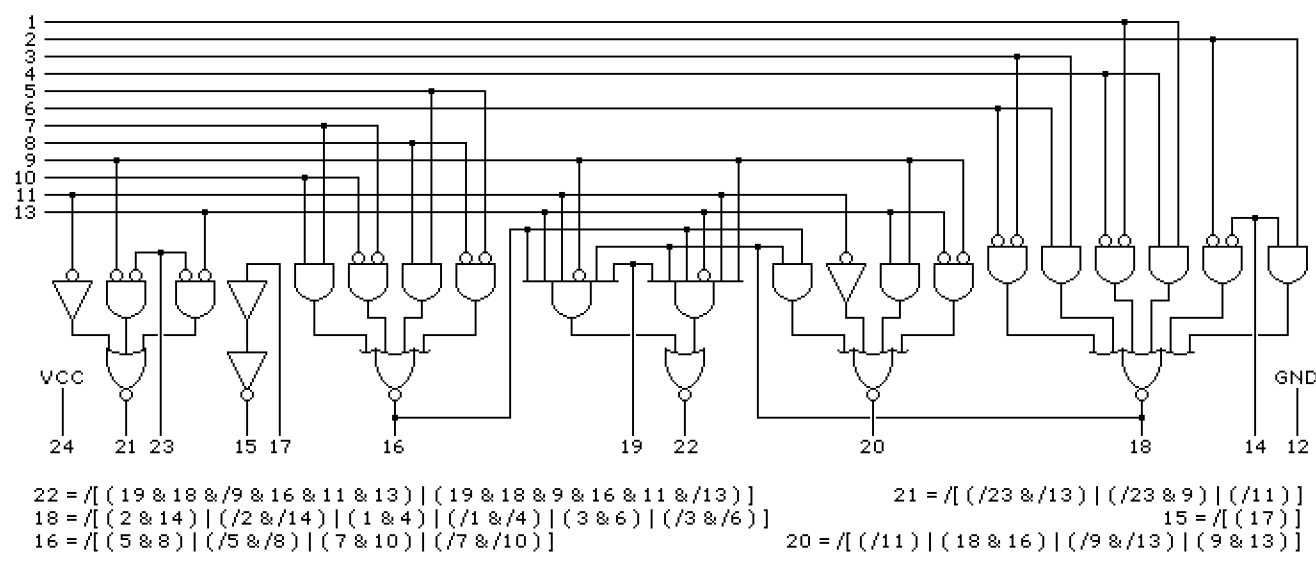
Display Board, schematic, sheet 2, 1689-4705-2D



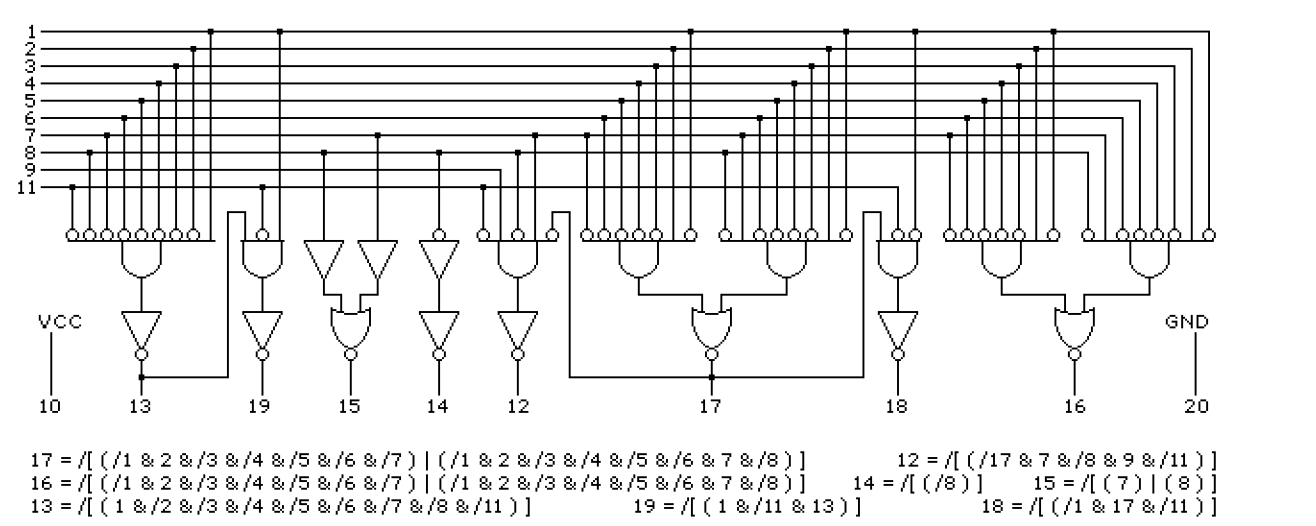
INTERNAL LOGIC AND BOOLEAN EQUATIONS OF PAL20L10 INTERGRATED CIRCUIT U7 IN THE 16XX DIGIBRIDGE

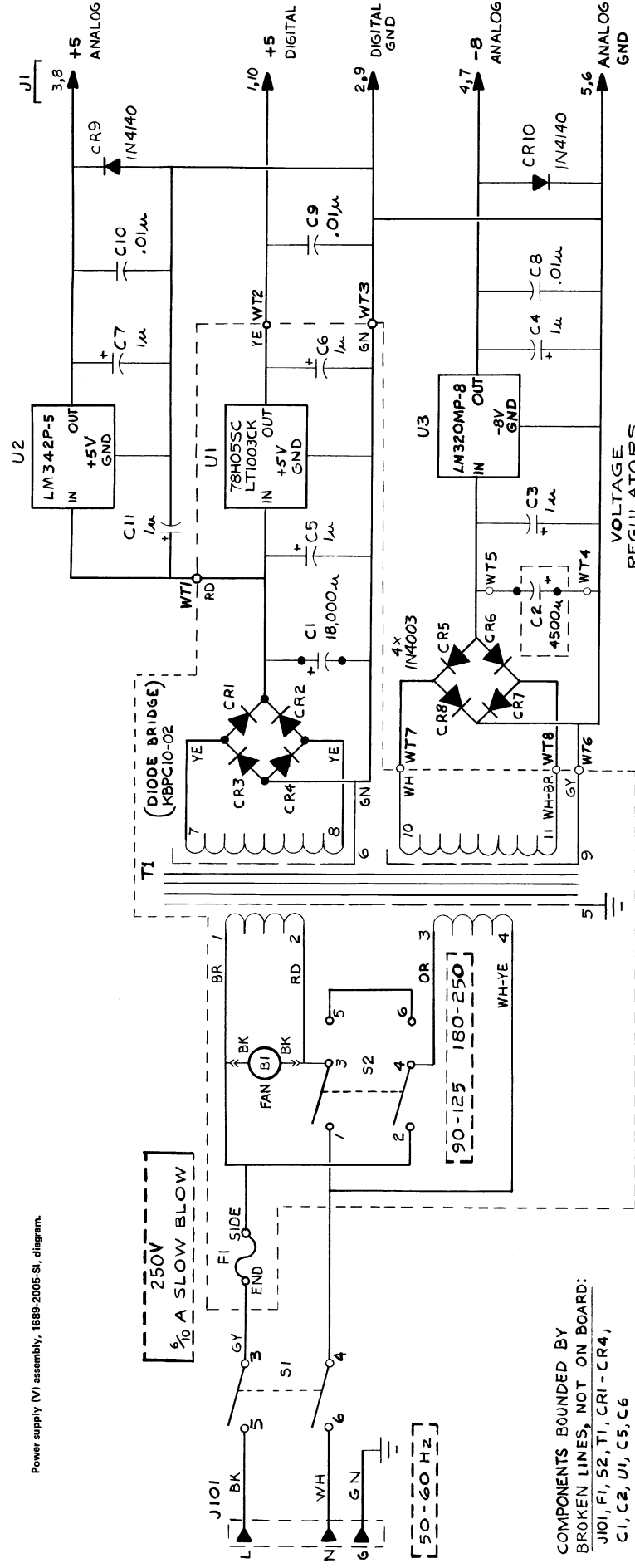


INTERNAL LOGIC AND BOOLEAN EQUATIONS OF PAL20L8A(20V8) INTERGRATED CIRCUIT U16 IN THE 16XX DIGIBRIDGE

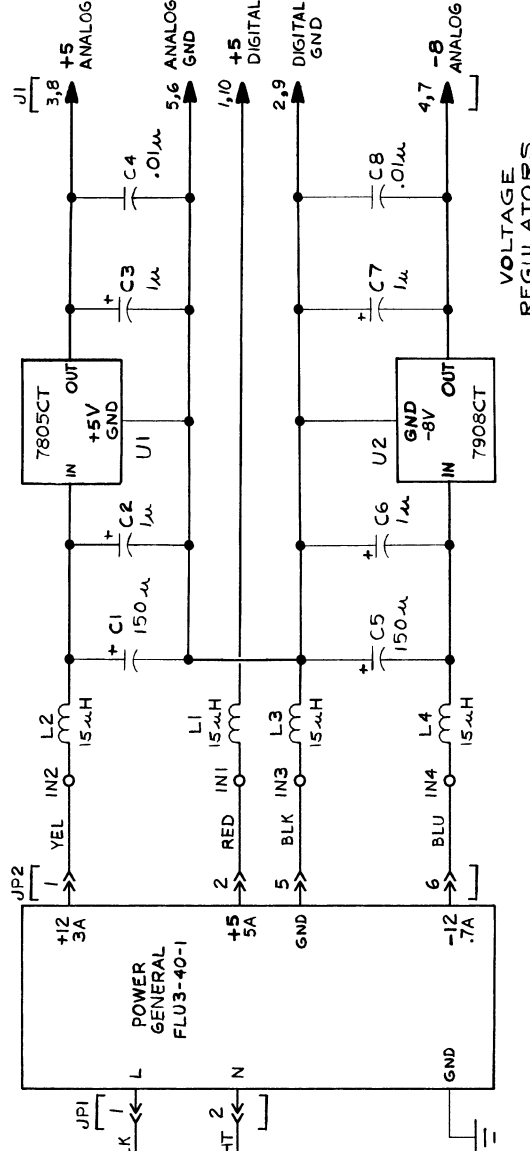
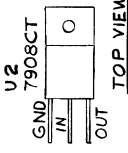
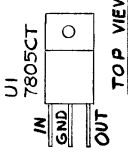
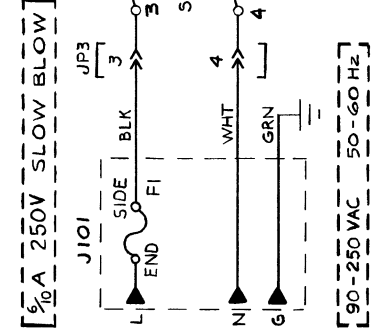
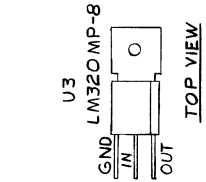
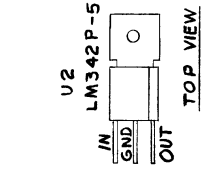
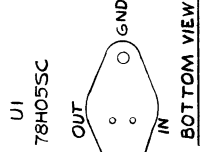
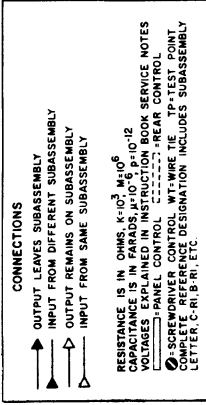


INTERNAL LOGIC AND BOOLEAN EQUATIONS OF PAL16L8 INTERGRATED CIRCUIT U28 IN THE 16XX DIGIBRIDGE





COMPONENTS BOUNDED BY
BROKEN LINES, NOT ON BOARD:
J101, F1, S2, T1, CR1 - CR4,
C1, C2, U1, C5, C6



CONNECTIONS
 ▲ OUTPUT LEAVES SUBASSEMBLY
 ◀ INPUT FROM DIFFERENT SUBASSEMBLY
 ▷ INPUT REMAINS ON SUBASSEMBLY
 ◁ INPUT FROM SAME SUBASSEMBLY

RESISTANCE IS IN OHMS, K=10³, M=10⁶
 CAPACITANCE IS IN FARADS, µ=10⁻⁶, p=10⁻¹²
 VOLTAGES ARE IN VOLTS, UNLESS OTHERWISE NOTED
 VOLTAGES EXPLAINED IN INSTRUCTION BOOK SERVICE NOTES
 ○ SCREWDRIVER CONTROL WIRE TIE TP-TEST POINT
 ⊕ SCREWDRIVER CONTROL WIRE TIE TP-TEST POINT
 ⊖ SCREWDRIVER CONTROL WIRE TIE TP-TEST POINT
 * SCREWDRIVER CONTROL WIRE TIE TP-TEST POINT
 COMPLETE REFERENCE DESIGNATION INCLUDES SUBASSEMBLY
 LETTER, C-R, B-R, ETC.